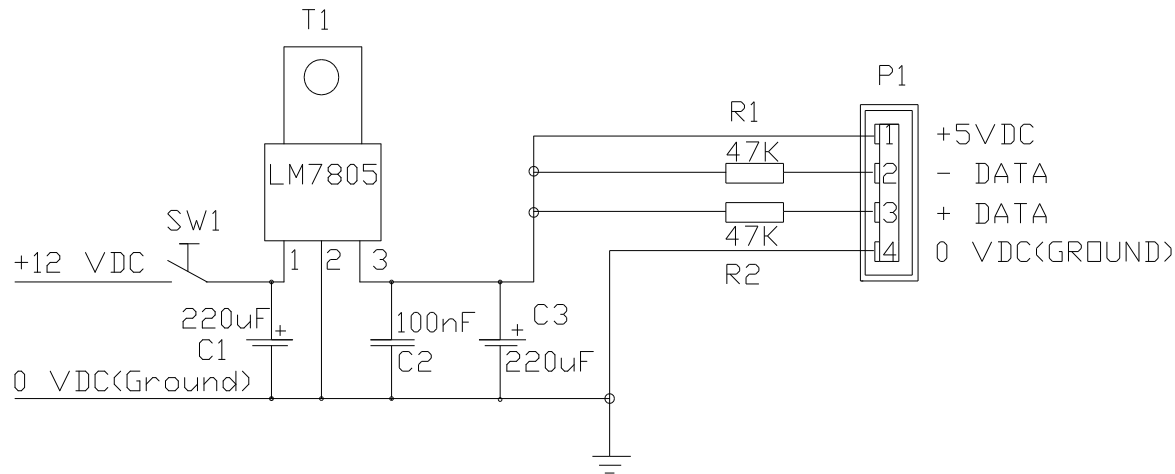


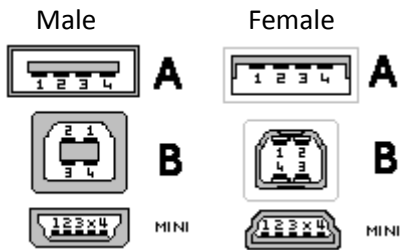


USB Charger for iPhone or other units which are charged from an USB connector. For CAR use.

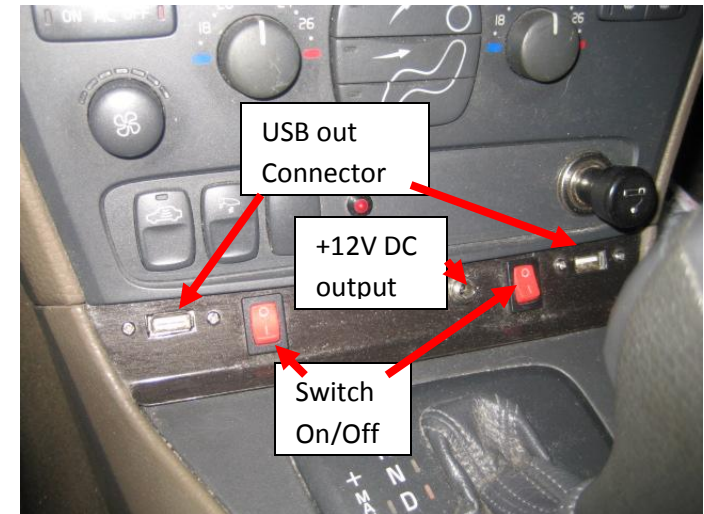


USB charger for iPhone and Navigation in a car

Different USB Connectors:



USB pin assignment:
 Pin 1 - VCC (+5 VDC)
 Pin 2 - D- (Data -)
 Pin 3 - D+ (Data +)
 Pin 4 - GND (Ground)



[Link Yatour adapter cable.](http://www.nasab.com/Volvo/Schema-Yatour.pdf)
[Link USB Charger for iPhone and Navigation in a Car.](http://www.nasab.com/Volvo/Schema-USB-Charger.pdf)

Picture from Volvo V-70, 2001.
 The original interior has been changed to a painted alu plate 1mm where 2 USB out with Switch for On/Off and 1 connector for 12V DC.