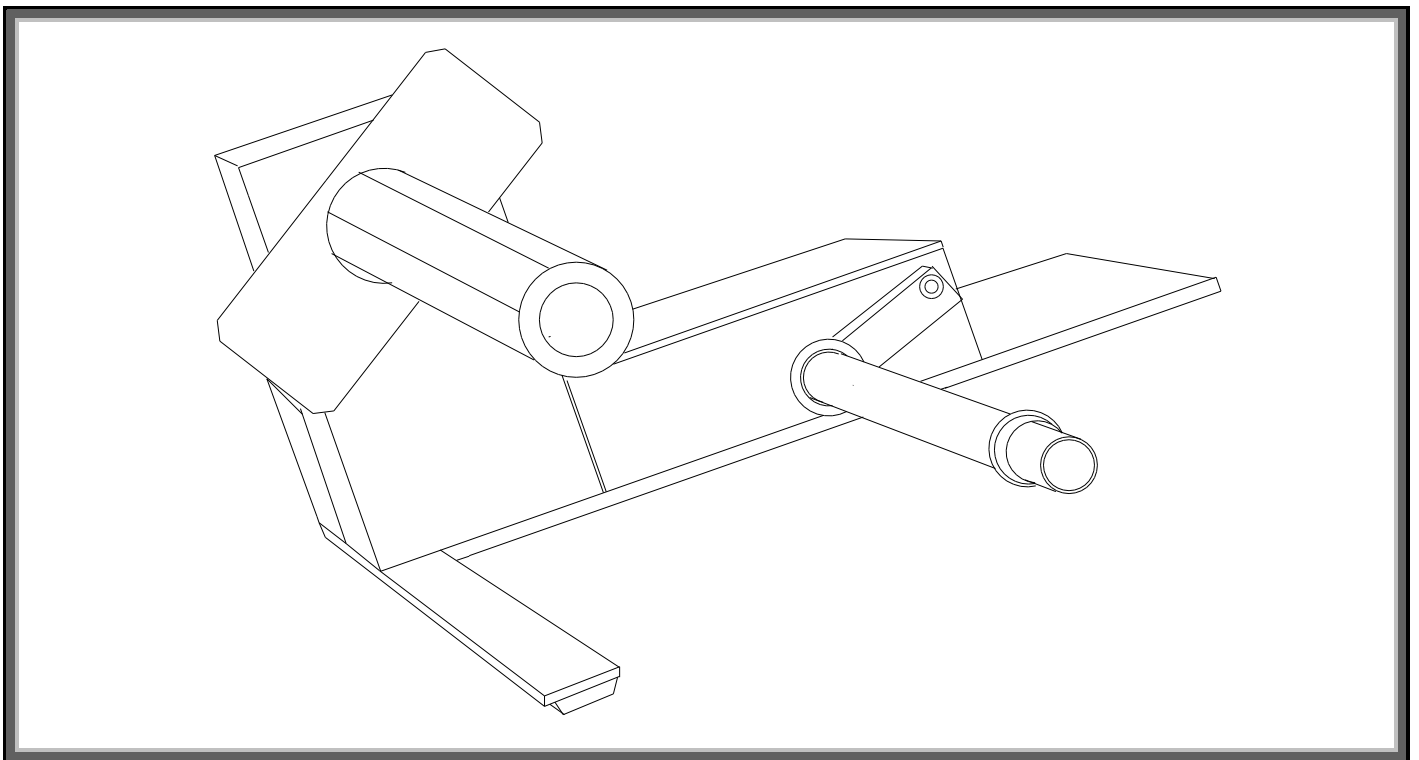




External Rewinder

RW-XXX

All models before 2002 White colors



Service Manual

Edition 1:4

Dec. 2002 - Art. No. 11-50-30

1. Introduction
2. Connection
3. Adjustment
4. Printing & Rewinding
5. Hints
6. Specification
7. Spare parts
8. Options
9. Electronic diagram
10. Adapter Plate RW-301, E4, F2, F4
11. Adapter Plate RW-401/501, 601
12. Adapter Plate RW-32, 34, C4
13. Declaration of Conformity

1. INTRODUCTION

Rugged external rewinder for labels, tickets and tags. The rewinder is well adapted accessory to the printers in the Intermec's EasyCoder range.

The rewinder is designed for rewinding the printed labels as they come out of the printer. The method of rewinding labels externally offers advantages in case you want to apply the labels manually or automatically later on.

The rewinder can match the printers maximum speed and takes the whole label roll that contained in the printer. Rewinding is done neatly and efficiently. Besides, it is a silent operation. By means of switches you can control rewinding direction and power on/off. The label web tension can easily be adjusted.

The rewinder is synchronized with the printer, to be automatically stopped by tension arm and photocell.

As the inner diameter of the paper bobbin often varies, a tension plate on the bobbin shaft is automatically suits bobbins having a diameter of 38-42mm. When no paper bobbin are used, the label web can be folded and fixed under the tension plate. No need for tape. The rewinder can be loaded with 3 inch bobbin without removing the tension plate.

- **External rewinder for labels, tickets and tags.**
- **Rewinding offers advantages for later application by hand or automatically.**
- **Adapted for the Intermec EasyCoder range.**
- **Rewinder matches printer's maximum speed.**
- **Available for 3" bobbin.**
- **Easy to control the rewinder direction.**
- **Easy installation.**



Note: **18V/AC adapter is normally ordered separately**

2.

Connection:

- Put the printer on a table with enough space in front of it.
- Fit the rewinder beneath the printers front feet.
- Connect the Adapter with the cable from the 18V/AC input plug on the rewinder control panel to the power mains socket.
- Let the ON/OFF switch stay in OFF position.

3.

Adjustment:

- Load the paper stock and thread the paper web inside the printer.
- Make sure that the roll and the web are properly inserted.
- Check carefully that it goes proper positioned along the guide washer.
- Check the web is close to the gable.
- Lower the print head.
- Switch on the printer and Feed out a length of 40 cm of paper.
- Insert the bobbin on the rewinder shaft.
- Stretch the paper again and move the bobbin support wing so it becomes flush with inner side of the paper.

- For your information there is a friction clutch inside the bobbin.
- This friction clutch is adjustable by a screw in the front of the bobbin for certain specific rare cases.
- However the rewinder is properly adjusted for all media that printer is designed for.
- Use a full width paper core and insert it to the bobbin.
- Rewind manually a few turns so the paper is stretched.

Note:

- The Bobbin has an adjustable plate
- If not a paper core is used there is enough space beneath the plate to insert the the web.

4.

Printing & Rewinding

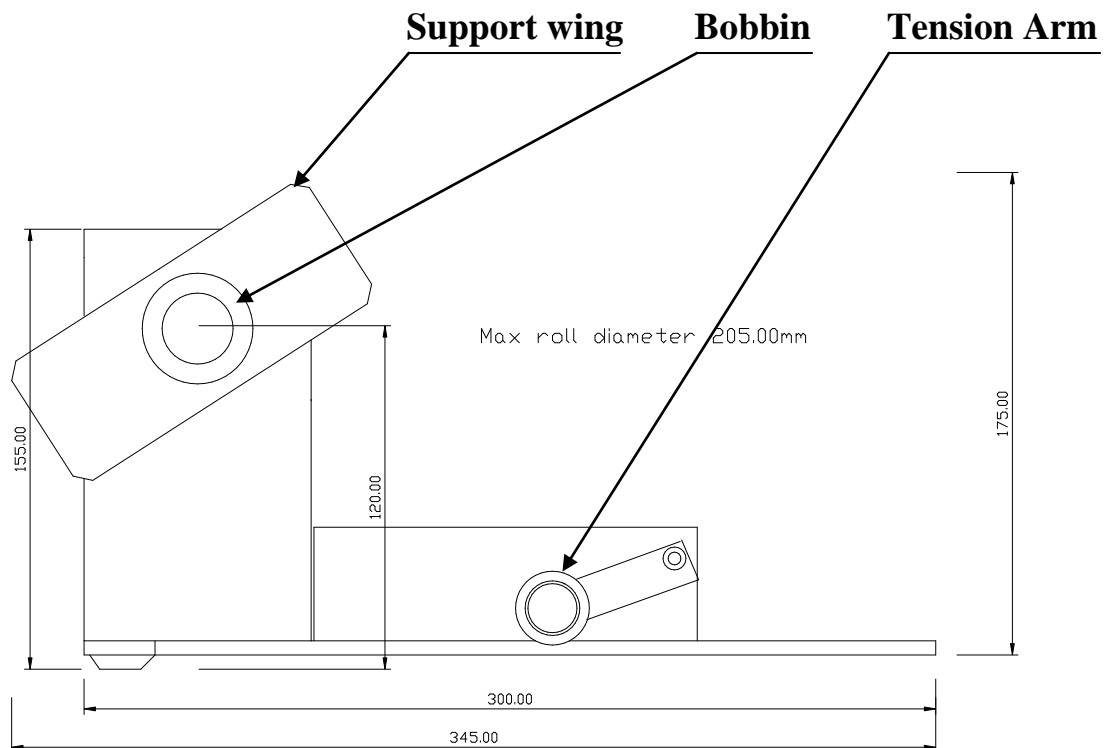
- Set the ON/OFF switch in ON position.
- Start to print the labels.

5.

Hints:

To get a perfect rewind roll when printing batches of labels some points are suggested if possible. However the rewinder makes a good job without these proposals.

- In printers Setup use no “negative start adjust” This will avoid retracting the label before printing. See printers manual.
- If printer still stops for each label try to reduce the print speed. See printers manual.



6.

Specification:

Bobbin length,	125mm, 185mm
Label roll size,	38-205mm
Bobbin paper core size	38-42mm, 75mm

Dimensions:

L	300mm, 350mm
W	210mm, 310mm
H	200mm
Weight	2,0kg

Power:

Supply the Rewinder from separate adapter either
 18V/AC 20W, 1A or 24V DC.
 (2 pole female chassi plug, length 12mm, outer 5,5mm, inner 2.1mm)

Powering from printer is not recommended.

RW-model xxx(Rewinder Unit) – Service Manual

7. Spare Parts:

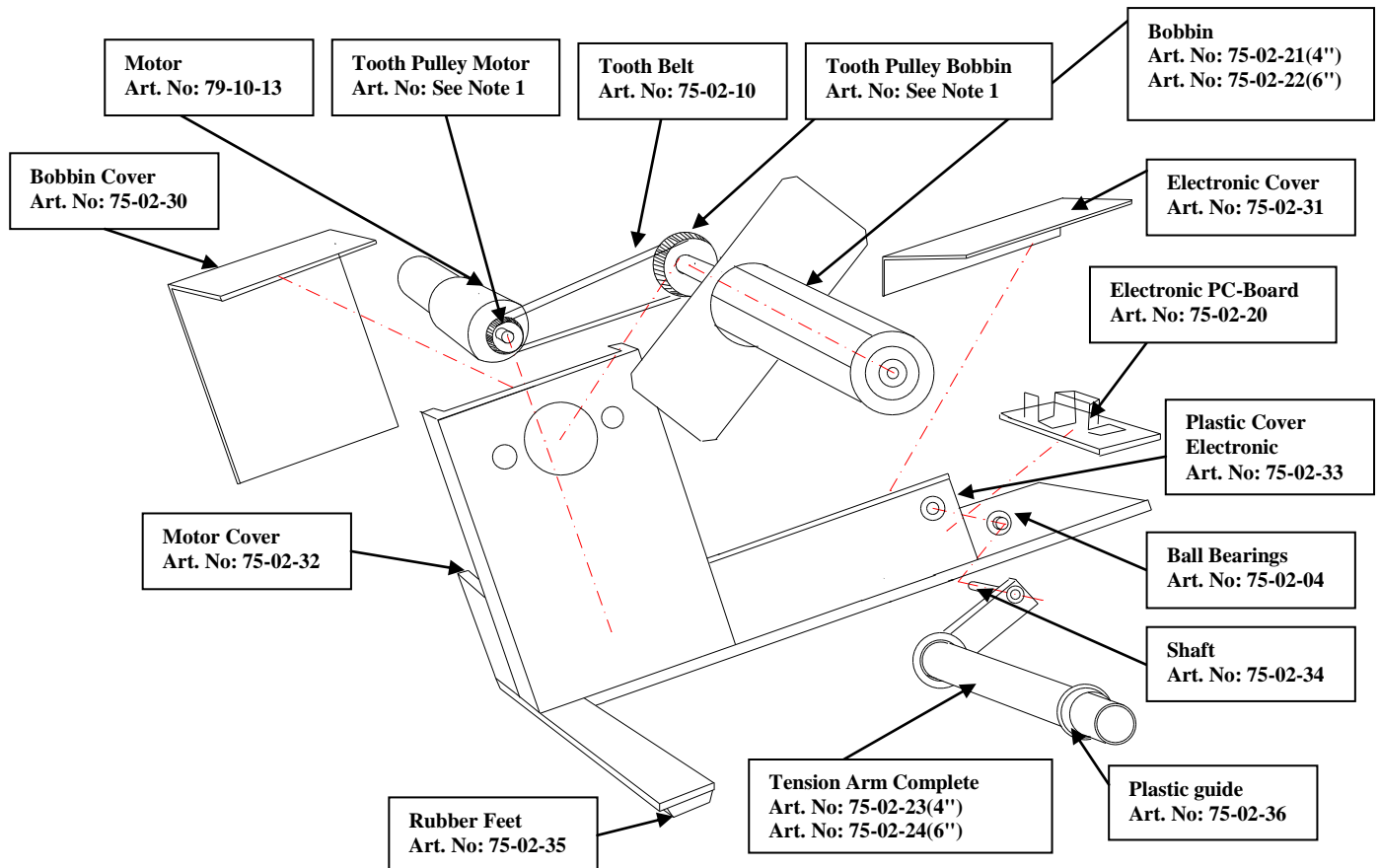
75-02-01	Bobbin complete
75-02-04	Ball bearing(tension arm)
75-02-05	Tension arm
75-02-10	Tooth belt
79-10-13	Motor assy
75-02-20	Electronic PC-board assy
75-02-11	Tooth Pulley, l=8, O=23, Metal
75-02-12	Tooth Pulley, l=6, O=28, Plastic
75-02-14	Tooth Pulley, l=6, O=23, Metal
75-02-15	Tooth Pulley, l=8, O=28, Plastic

8.

Options: Bobbin Adapter 76mm (3 '') 95-50-20
 Power Adapter 230V/18 15W 95-50-14

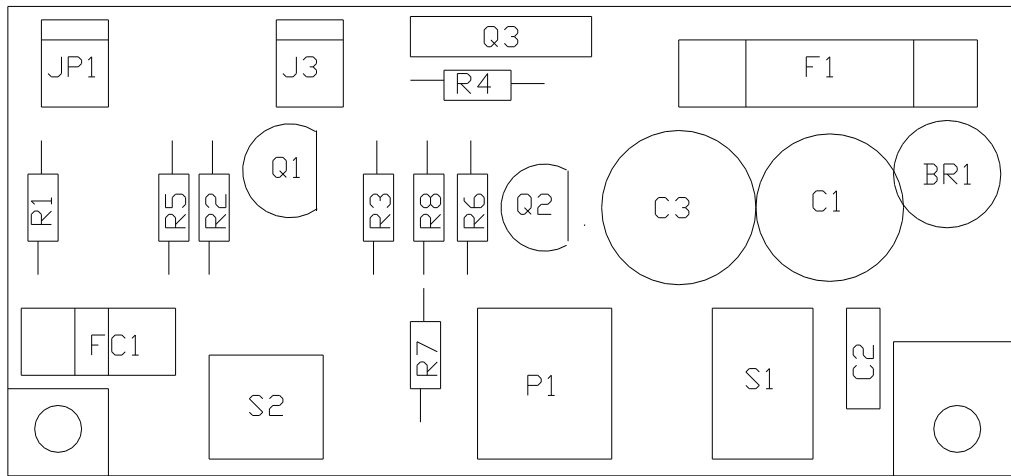
NOTE 1:

Motor/Bobbin Pulley for different RW-Models									
	RW-201	RW-301	RW-C4	RW-F2	RW-F4	RW-32	RW-34	RW-501	RW-601
Motor	75-02-12	75-02-12	75-02-12	75-02-12	75-02-14	75-02-12	75-02-14	75-02-14	75-02-14
Bobbin	75-02-11	75-02-11	75-02-11	75-02-11	75-02-15	75-02-11	75-02-15	75-02-15	75-02-15
	RW-501XP	RW-601XP							
Motor	75-02-12	75-02-12							
Bobbin	75-02-15	75-02-15							

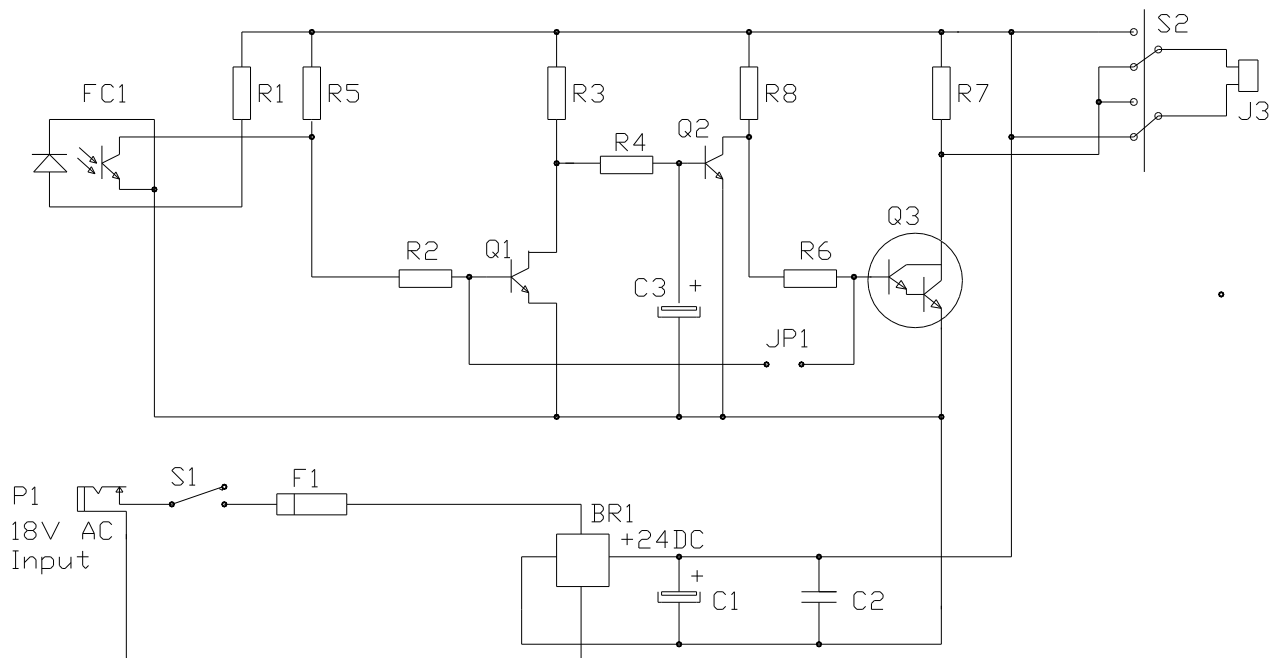


9. Electronic diagram

Layout

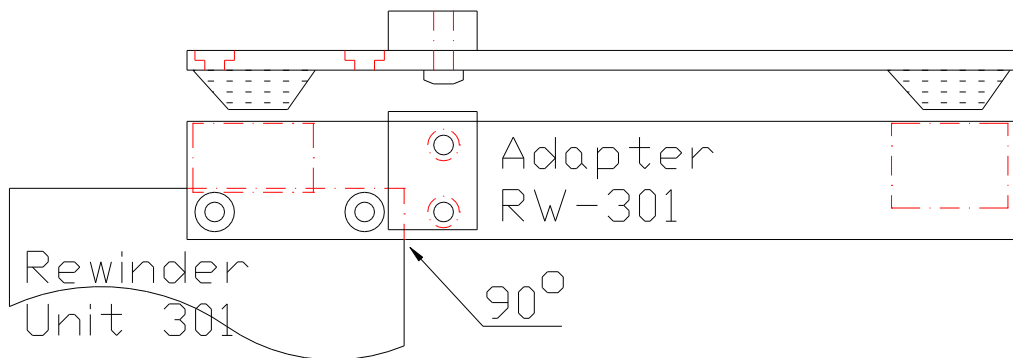


Nasab RW-2000

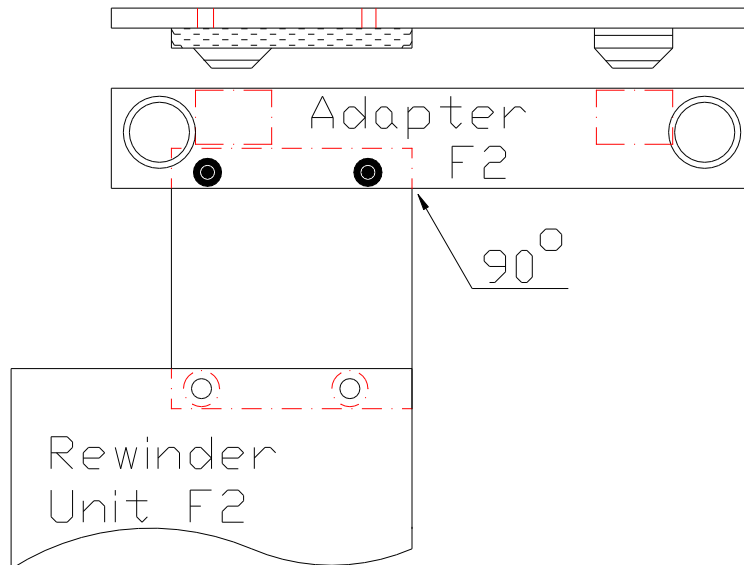


10. Adapter Plate

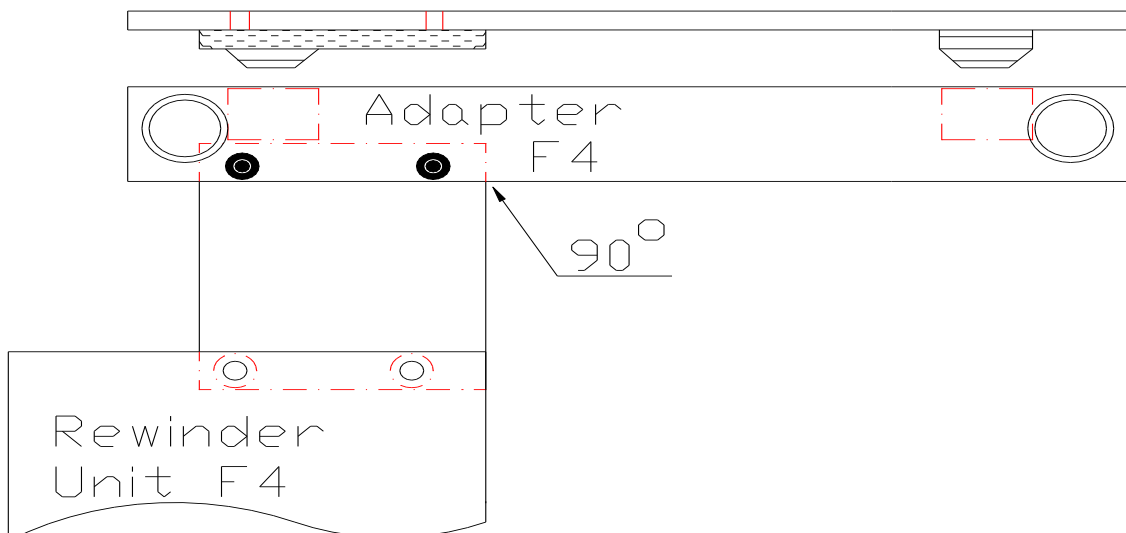
Adapter plate RW-301/E4



Adapter plate RW-F2

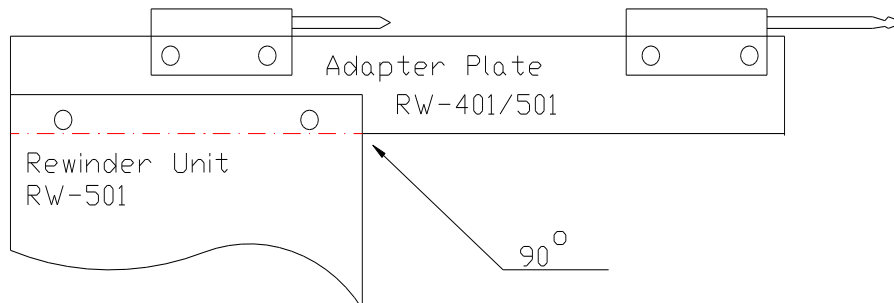


Adapter plate RW-F4

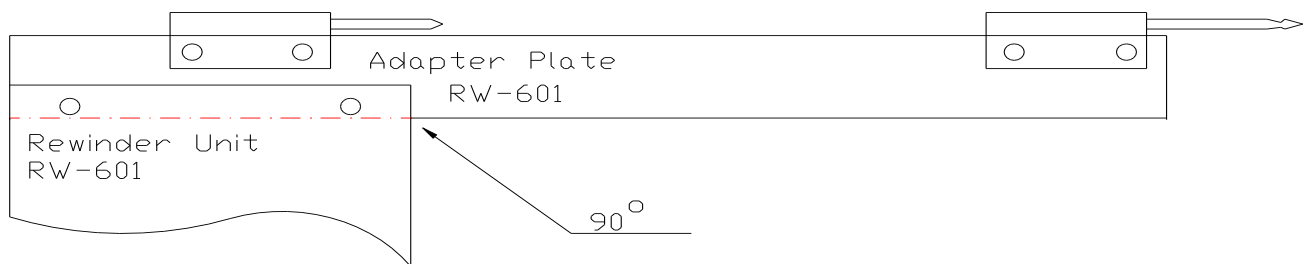


11. Adapter Plate

Adapter plate RW-401/501

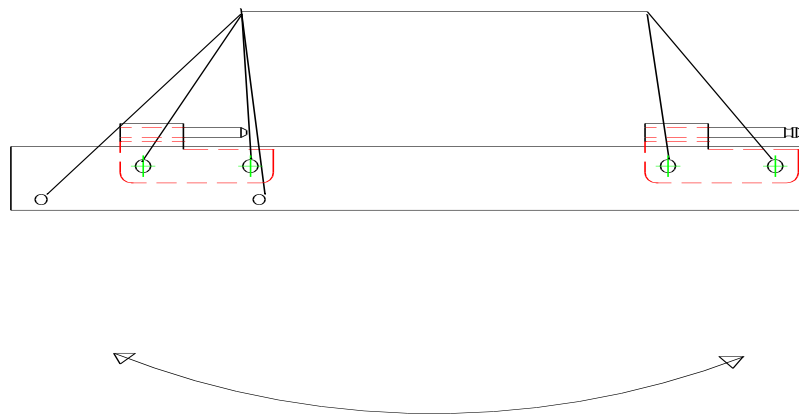


Adapter plate RW-601



Adjustment

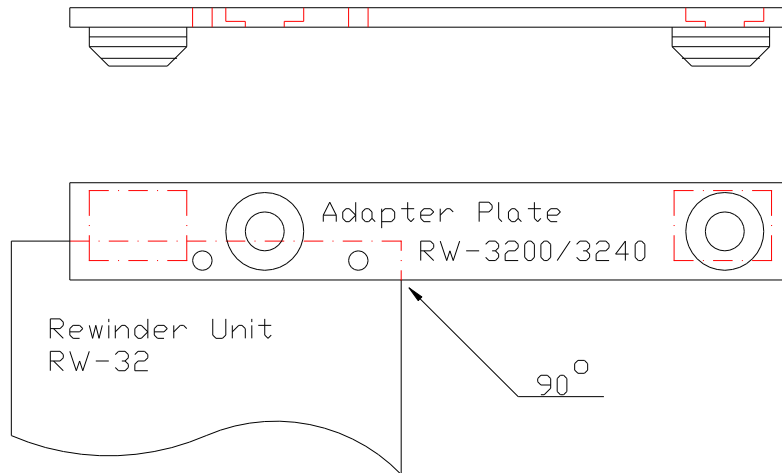
- By the four adjustment screws adjust the whole rewinder plate so the left side of the stretched paper is flush to bobbin wing.
- Tighten the screws.



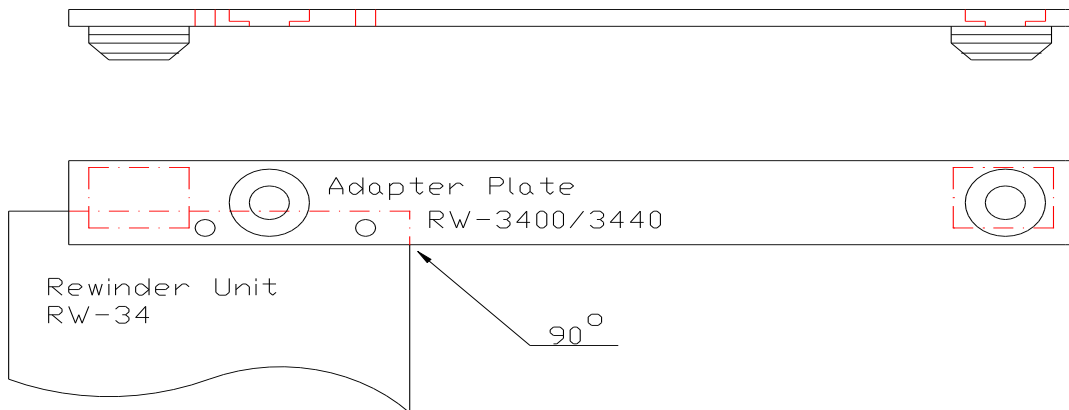
12.

Adapter Plate

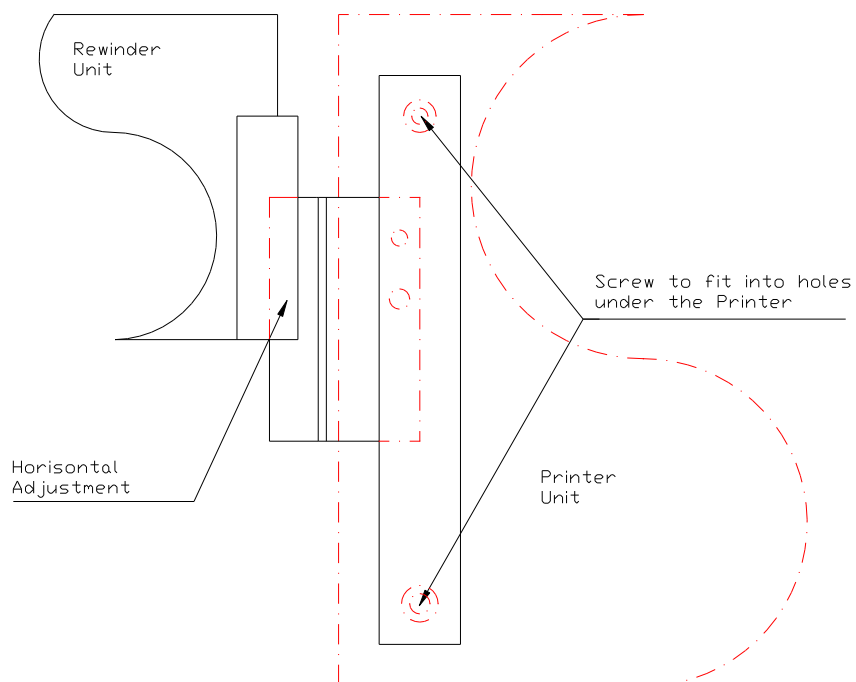
Adapter plate RW-32



Adapter plate RW-34



Adapter plate RW-C4



13.

Declaration of conformity

<p style="text-align: center;">DECLARATION OF CONFORMITY</p> <p style="text-align: center;">We, <i>Nasab</i> Jasnogórska 26/6 42 200 Częstochowa Poland</p> <p style="text-align: center;">Declare under our sole responsibility that the product</p> <p style="text-align: center;">Rewinder Unit RW</p> <p style="text-align: center;">To which this declaration relates Is in conformity with the following standards</p> <p style="text-align: center;">Machine Directive: 89/392/EEC 91/368/EEC 93/44/EEC 93/68/EEC</p> <p style="text-align: center;">Low Voltage Directive: 73/23/EEC 93/68/EEC</p> <p style="text-align: center;">following the provisions of Directives</p> <p style="text-align: center;">89/336/EEC and 93/68/EEC</p> <p style="text-align: center;">Częstochowa, 1 June, 2002</p> <p style="text-align: center;"><i>J. Austad</i> ----- J. Austad Technical Director</p>



Wichrowa 49
42 200 Częstochowa
Poland

Phone: +48 500 350 239
Email: info@nasab.com
Internet: www.nasab.com