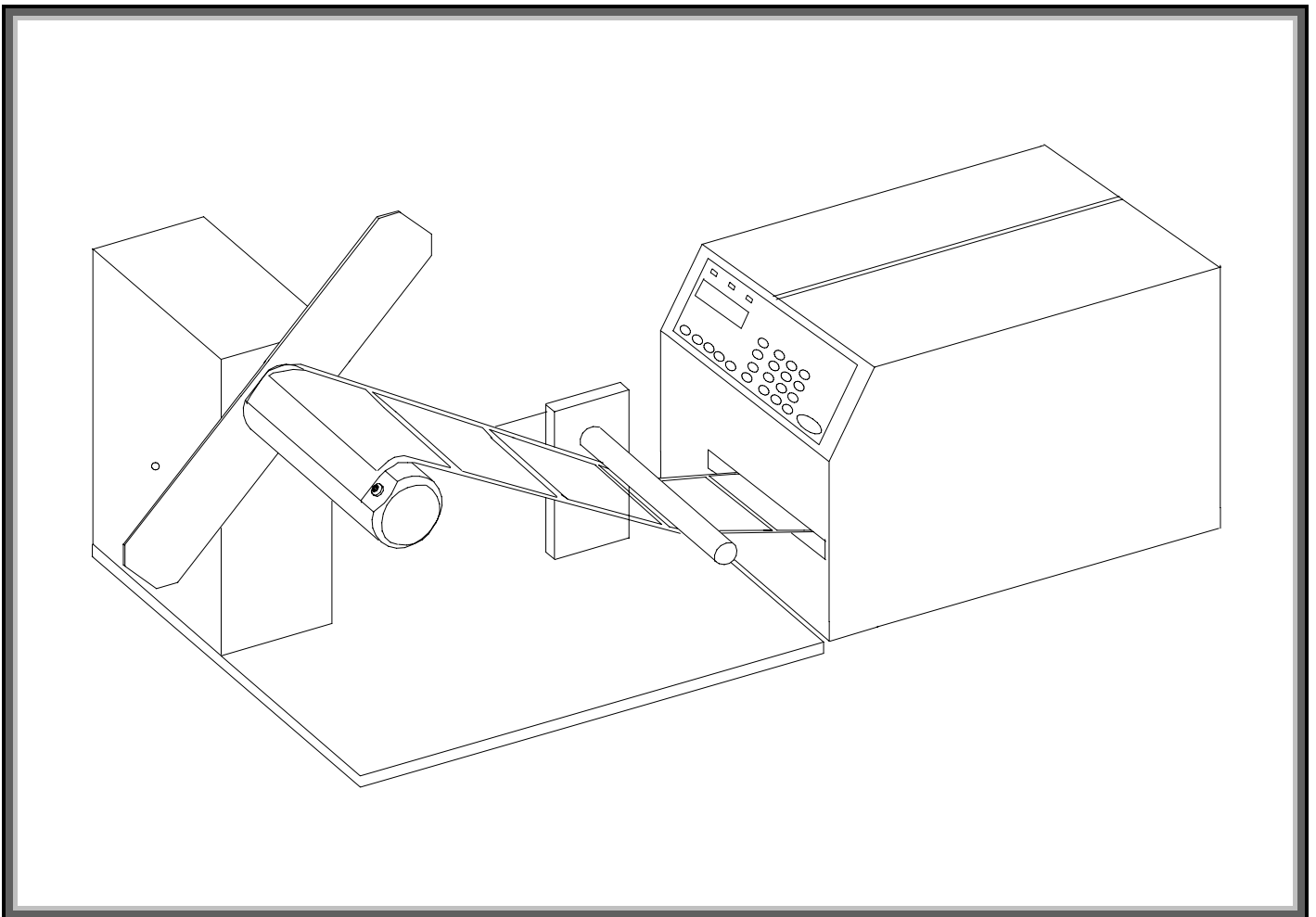


# *Nasab*

## *External Rewinder*

### *RW-401/501*

*Art. No. 95-50-10.*



# *Service Manual.*

**Edition 1:1**

**December 1998 - Art. No. 10-50-10**

## **INTRODUCTION**

---

1. Introduction
2. Connection
3. Adjustment
4. Printing & Rewinding
5. Hints
6. Specification
7. Spares
8. Options
9. Elschema

**Note:**

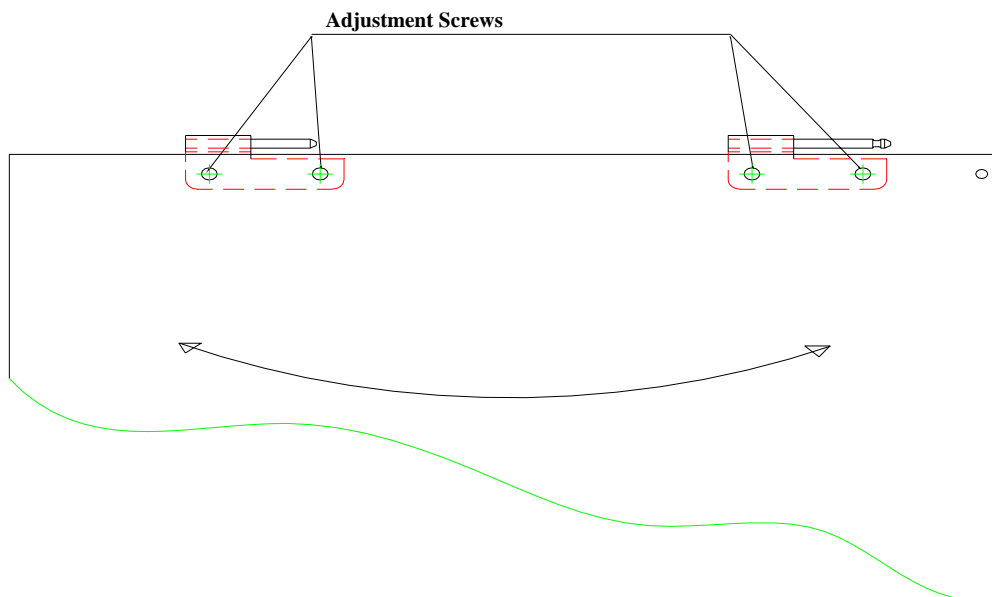
**18V/AC adapter is normally ordered separately**

**Connection:**

- Put the printer on a table with enough space in front of it.
- Remove the existing front lid from hinges of the printer.
- Fit the rewriter completely into the hinges.
- Connect the Adapter with the cable from the 18V/AC input plug on the rewriter control panel to the power mains socket.
- Let the ON/OFF switch stay in OFF position.

**Adjustment:**

- Load the paper stock and thread the paper web inside the printer.
- Make sure that the roll and the web are properly inserted.
- Check carefully that it goes proper positioned along the paper edge guide or guide washers.
- Check the web is close to the inner guide just beneath the printhead.
- Lower the printhead.
  
- Switch on the printer and Feed out a length of 40cm of paper.
- Grip the paper in the middle and stretch it and lower it towards bobbin.
- By the four adjustment screws adjust the whole rewriter plate so the left side of the stretched paper is flush to bobbin wing.
- Tighten the screws.



- Insert if necessary Adapter for 76mm (3") bobbin.
- Tighten the screw so it not touching the metal plate on the bobbin.
- Use a full width paper core and insert it to the bobbin.
- Rewind manually a few turns so the paper is rewinded.

**Note:**

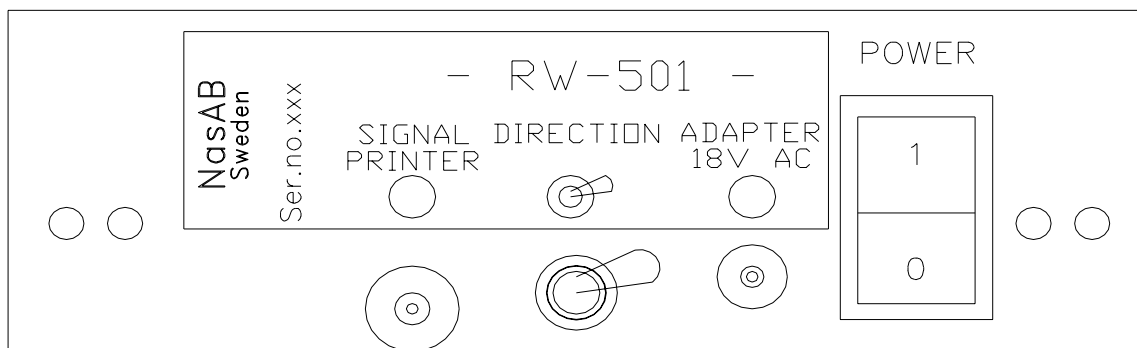
- The Bobbin has an adjustable plate. This plate can easily be moved by two screws so it fits the paper core.
- Move always the plate so it is aligned with the bobbin.
- If not a paper core is used there is enough space beneath the plate to insert the the web.
- Adapter for 76mm (3") bobbin has a plastic flap holding the paper core.
- For your information there is a friction clutch inside the rewinder.
- This friction clutch is adjustable by a knurled disk for certain specific rare cases.
- However the rewinder is proper adjusted for all media that printer is designed for.

**Printing & Rewinding:**

- **Only for Rewinder models and Printers with this option.**

-Connect the Signal cable from Cutter Din-plug on the printer front to the signal input plug on the rewinder.

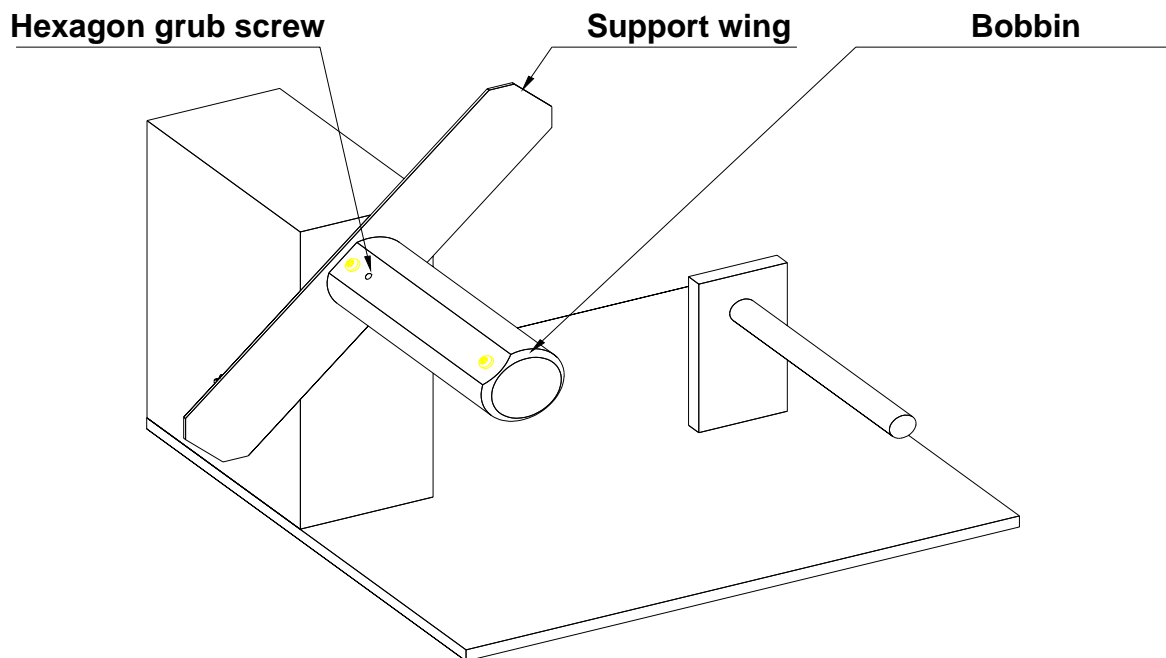
- **Set and let the ON/OFF switch stay in ON position ( 1 ).**



- Prepare the printer so it prints a label. ( a paper feed is not enough). When the printer starts to print the rewinder starts automatically. The rewinder is activated 10 sec after a printout.

**Hints:**

- To get a perfect rewinded roll when printing batches of labels some points are suggested if possible. However the rewinder makes a good job without these proposals.
- In printers Setup use no "negative startadjust", this will avoid retracting the label before printing.
- Check also in the Setup with Normal speed if printer still stops for each label.



**Specification:**

Bobbin length, 125mm  
 Label roll size, 38-205mm  
 Bobbin paper core size, 38-42mm

**Dimensions:**

L 260mm  
 W 250mm  
 H 250mm  
 Weight 2.7kg

**Power:**

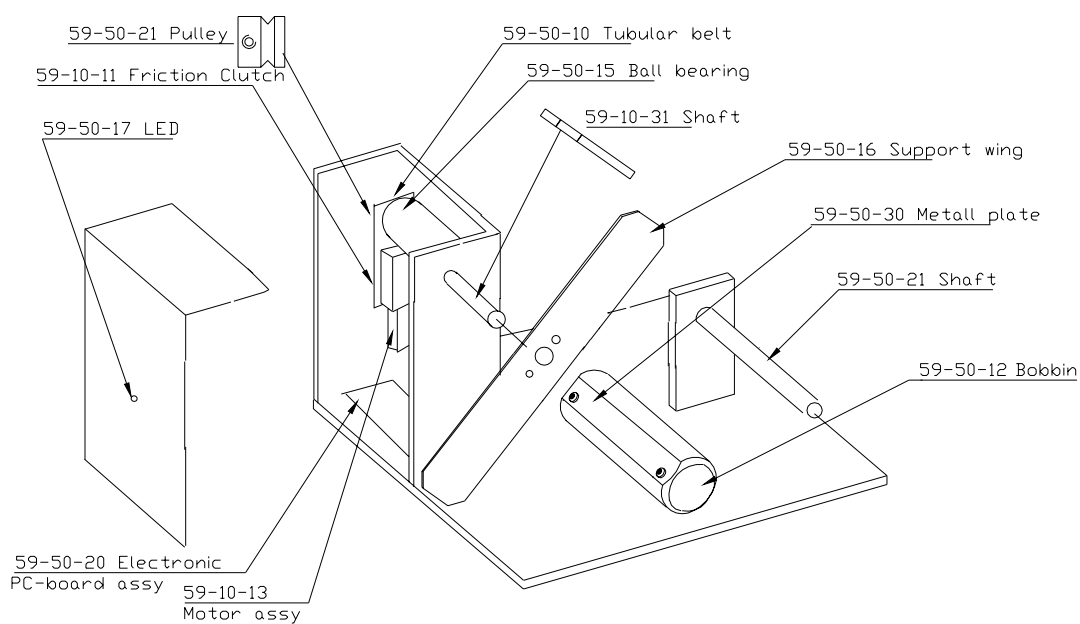
Supply the Rewinder from separate adapter either 18V/AC 15W, 800mA or 24V DC.  
 (2 pole female chassi plug, length 12mm, outer 5,5mm, inner 2.1mm)

**Powering from printer is not recommended.**

## Spares:

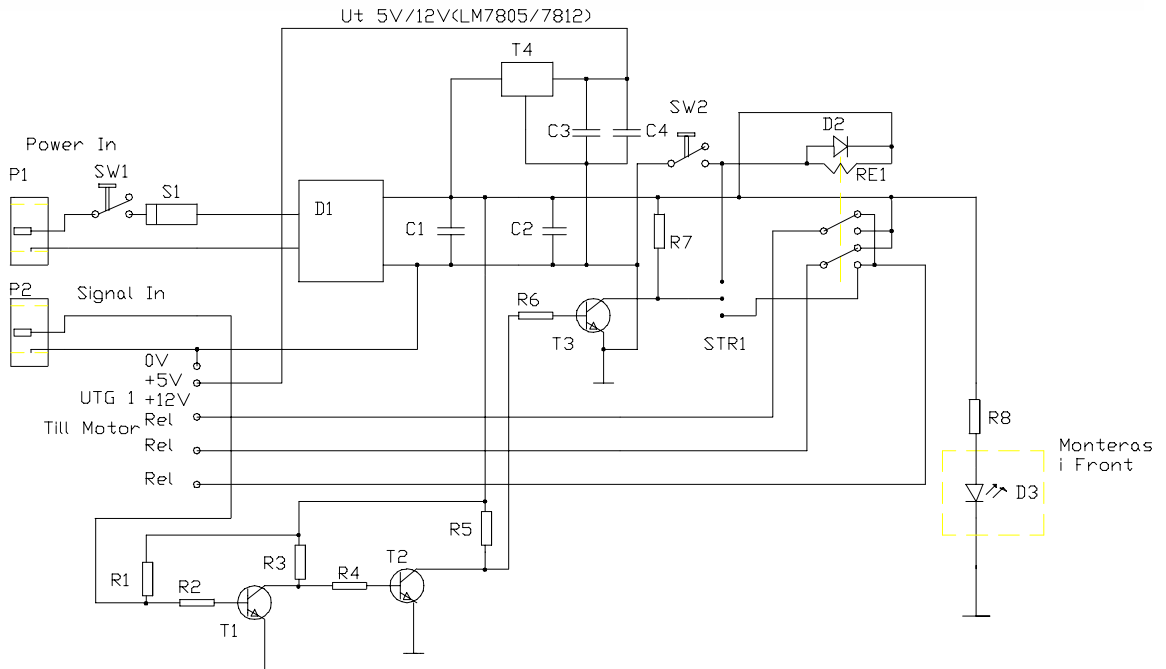
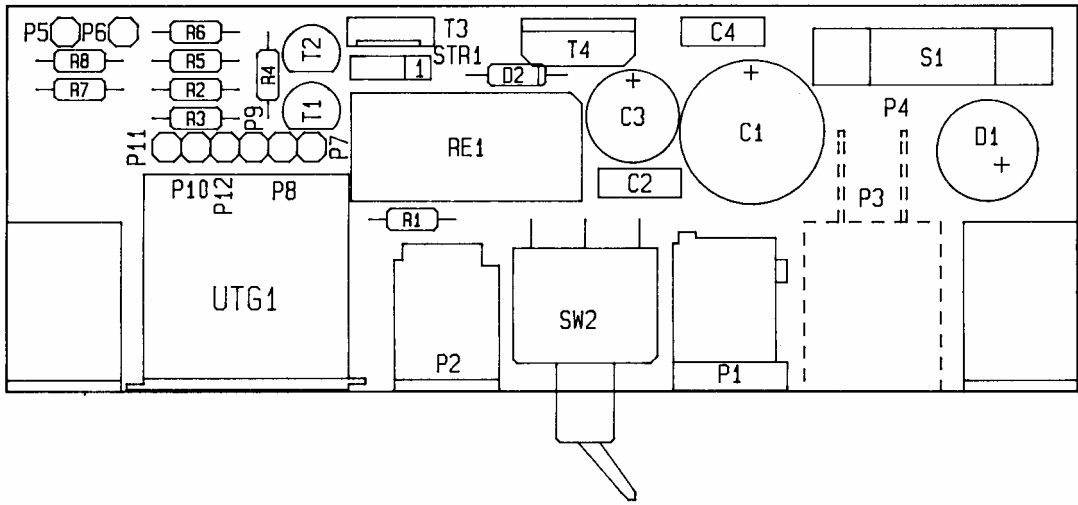
Art. No.:	Model:
59-10-11	Friction Clutch
59-10-13	Motor assy
59-10-31	Shaft, motor-bobbin
59-50-10	Tubular belt
59-50-12	Bobbin including support wing
59-50-15	Ball Bearing (bobbin)
59-50-16	Support wing
59-50-17	LED
59-50-20	Elektronik pc-board assy
59-50-21	Pulley (bobbin)
59-50-30	Metall plate bobbin
95-50-14	Adapter 230V/18V 20VA
95-50-18	External signal cable (start/stop)
95-50-20	Adapter 76mm (3") bobbin

<b>Options:</b>	Adapter 76mm (3") bobbin	95-50-20
	External signal cable (start/stop)	95-50-18
	Adapter, 230V/18V AC, 15W	95-50-14



**Elschema:**

**Layout**



*Nasab*

Wichrowa 49  
42 200 Czestochowa  
Poland

Phone: +48(0)34 3654405  
Fax: +48(0)34 3654489  
Email: info@nasab.com